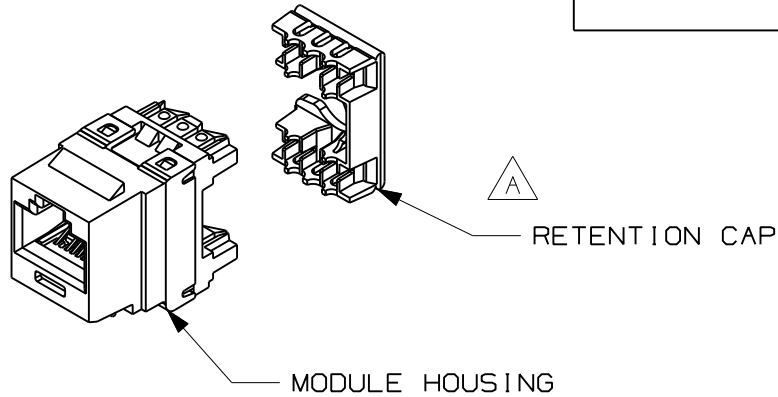


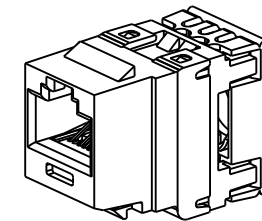
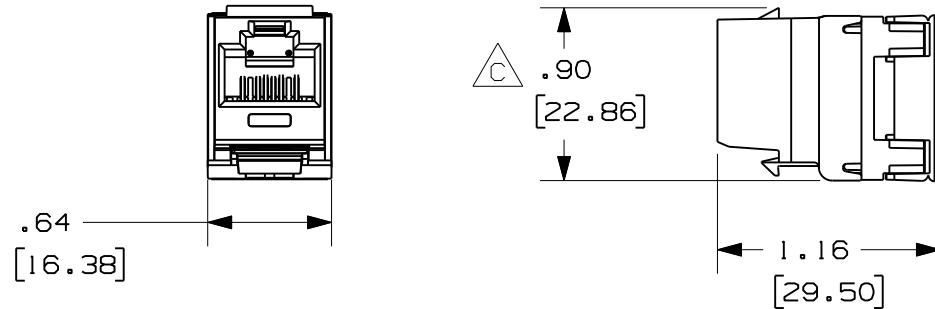
THIS COPY IS PROVIDED ON A RESTRICTED BASIS AND IS NOT TO BE USED IN ANY WAY DETRIMENTAL TO THE INTERESTS OF PANDUIT CORP.

| PANDUIT PART# | DESCRIPTION  | WEIGHT                             |
|---------------|--|------------------------------------|
| NK688M**      | 8 POSITION, 8 WIRE UNIVERSAL MODULE. MODULE IS COLOR CODED FOR T568A AND T568B WIRING SCHEMES. | 1.495 LB/100 PCS<br>(678g/100 PCS) |



NOTES:

- SEE CURRENT CATALOG FOR ADDITIONAL PART NUMBER SUFFIXES TO INDICATE COLOR AND OR PACKAGE QUANTITY.
- MATERIAL:  
MODULE - ABS/PC  
RETENTION CAP - ABS
- ALL CATEGORY 6, 8 POSITION, 8 WIRE CONNECTOR MODULES ARE UNIVERSAL IN DESIGN. THEY ACCEPT SIX AND EIGHT POSITION MODULAR PLUGS WITHOUT DAMAGE.
- DIMENSIONS IN PARENTHESES ARE IN METRIC.



ACTUAL SIZE

|  |                         |
|--|-------------------------|
| MODEL FILENAME<br>M01874AD_10GTX_PUNCHDOWN_ASSY_06   | SIZE<br>A               |
| DRAWING FILENAME<br>M02341CA_DC07_06A.PRT  |                         |
| TITLE<br>NETKEY CATEGORY 6 PUNCHDOWN JACK<br>MODULE CUSTOMER DRAWING   |                         |
|  | I.T. NUMBER             |
| PANDUIT <sup>TM</sup> CORP.<br>TINLEY PARK, ILL 60477  | PRODUCT SPEC            |
| THIRD ANGLE PROJECTION   | WORK INSTRUCTION        |
| ALL DIMENSIONS ARE GIVEN IN INCHES, UNLESS OTHERWISE SPECIFIED.<br>DIMENSIONAL TOLERANCES ARE:<br>(.X) ± (.XXX) ±.010(.3)<br>(.XX) ±.03(.8) ANGLES ± | SCALE<br>FULL           |
| DRAWN BY<br>MDJr   | REVIEW DRAWING NUMBERS  |
| DATE<br>8-25-05  | PART NO.<br>NK688M**    |
| CHK'D<br>PBC   | DRAWING NO.<br>02341-07 |

| REV | DATE    | BY   | CHK | DESCRIPTION  | ECN      | R | CUST | SUP | OTH |
|-----|---------|------|-----|--|----------|---|------|-----|-----|
| 2   | 3-31-08 | MDJr | PBD | D. UPDATED ASSEMBLY MODEL TO REV. 06.  | 02341-07 |   | MMR  |     |     |
| 1   | 9-23-05 | MDJr |     | C. CHANGED LOCATION OF DIM.<br>B. REVISED NOTE 2.<br>A. REVISED DESCRIPTION. | 02341-07 |   |      |     |     |
| R   | 8-25-05 | MDJr | PBC | RELEASED TO PRODUCTION   | 02341-07 |   | TJBU |     |     |